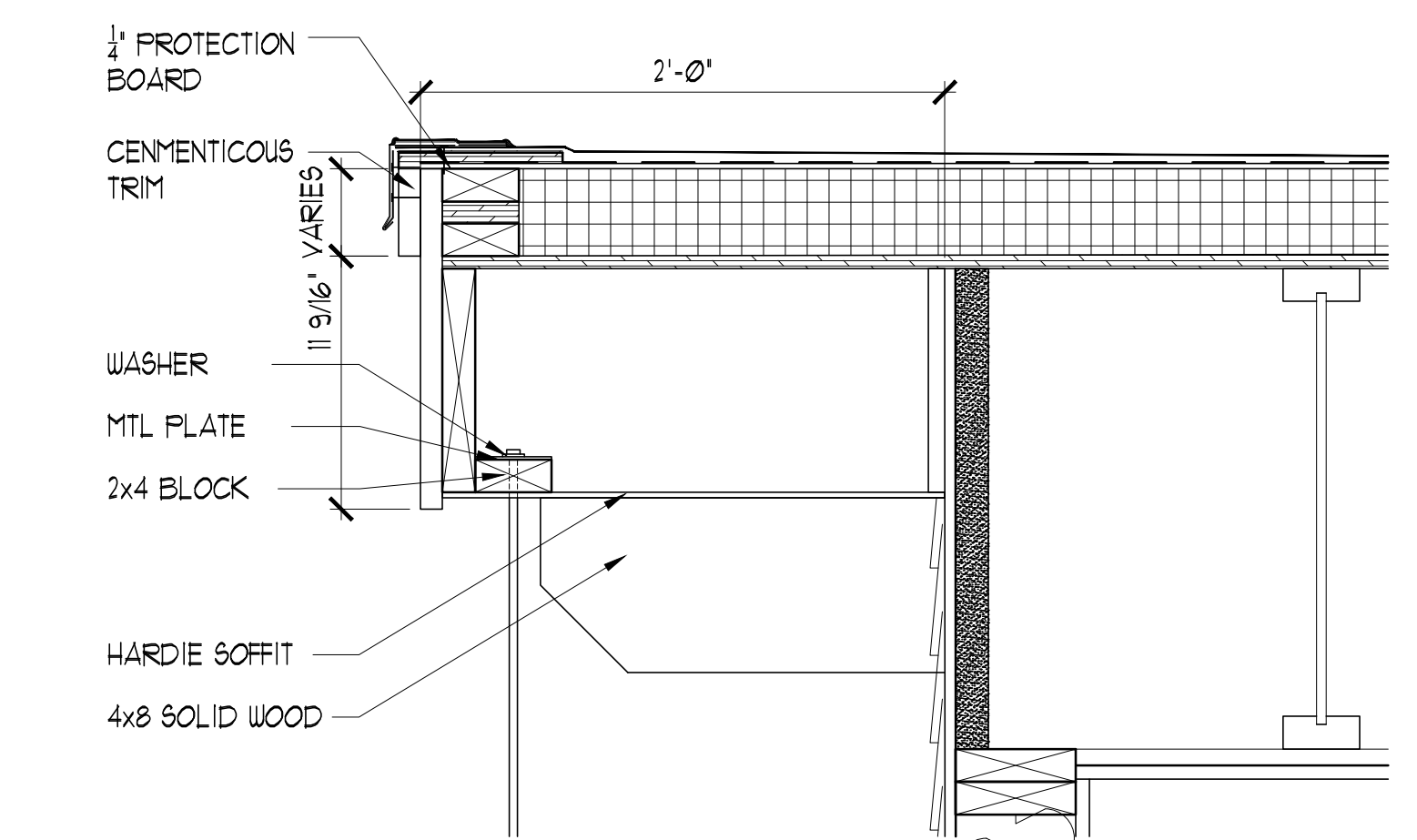
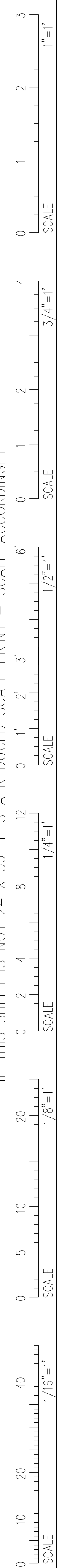
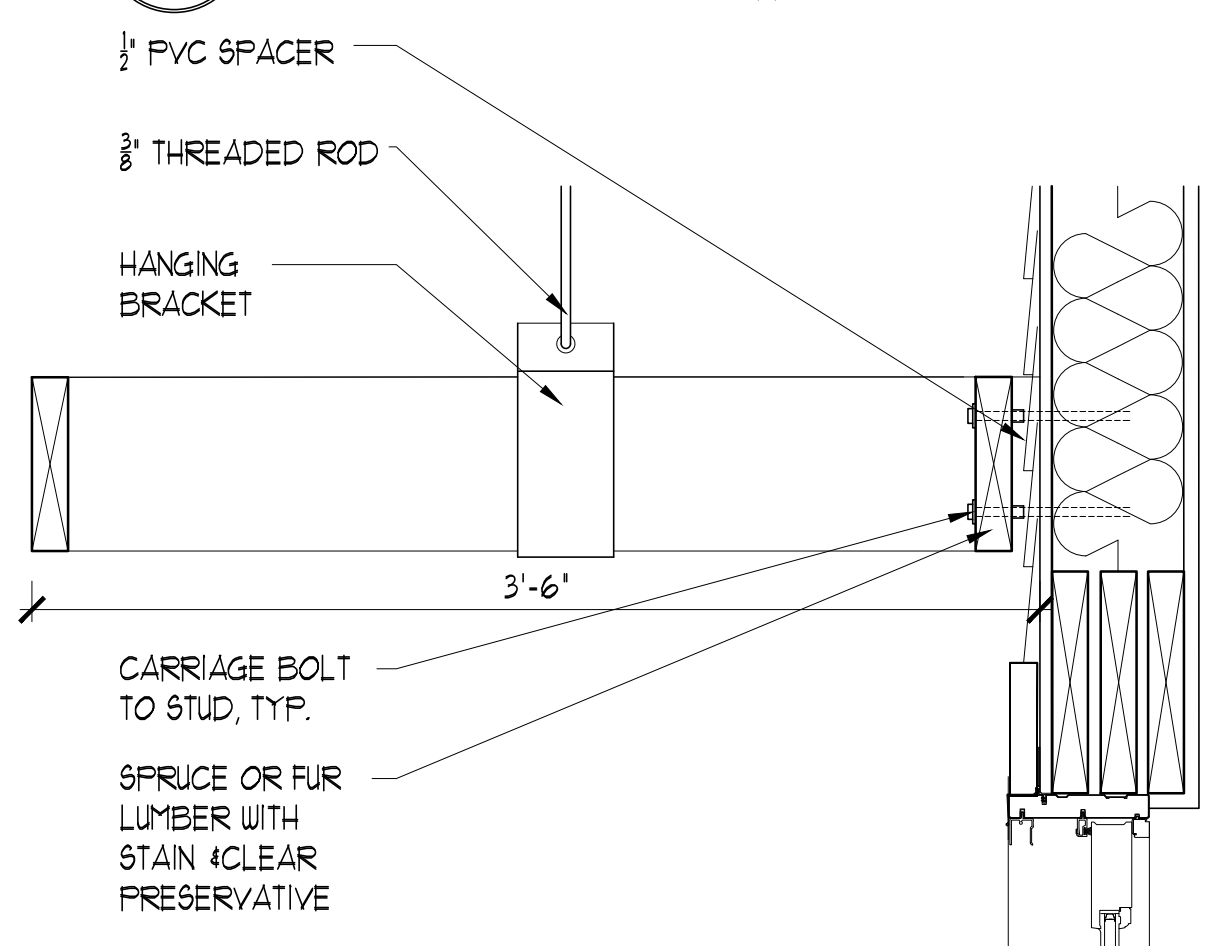


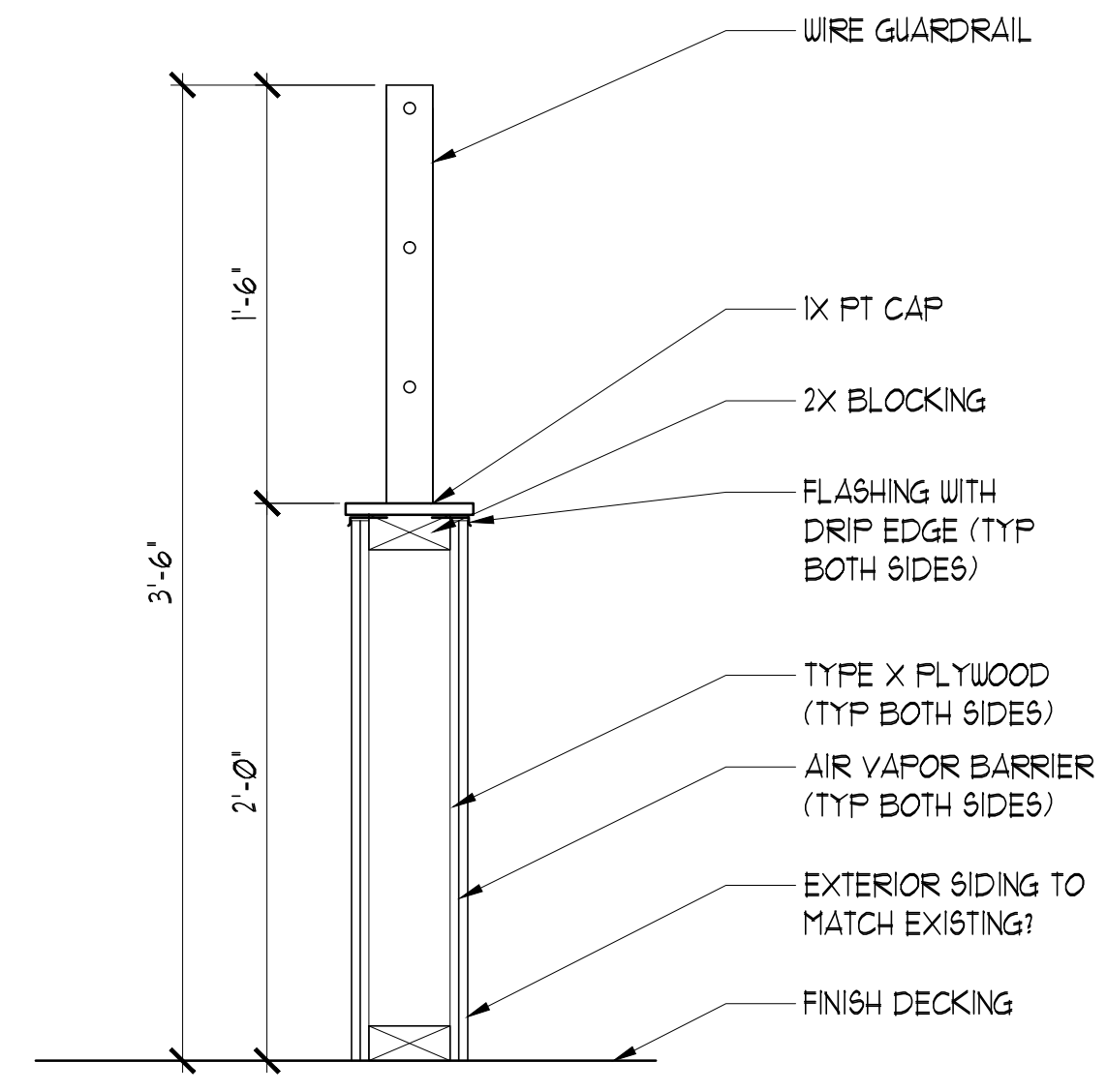
IF THIS SHEET IS NOT 24 X 36 IT IS A REDUCED SCALE PRINT - SCALE ACCORDINGLY



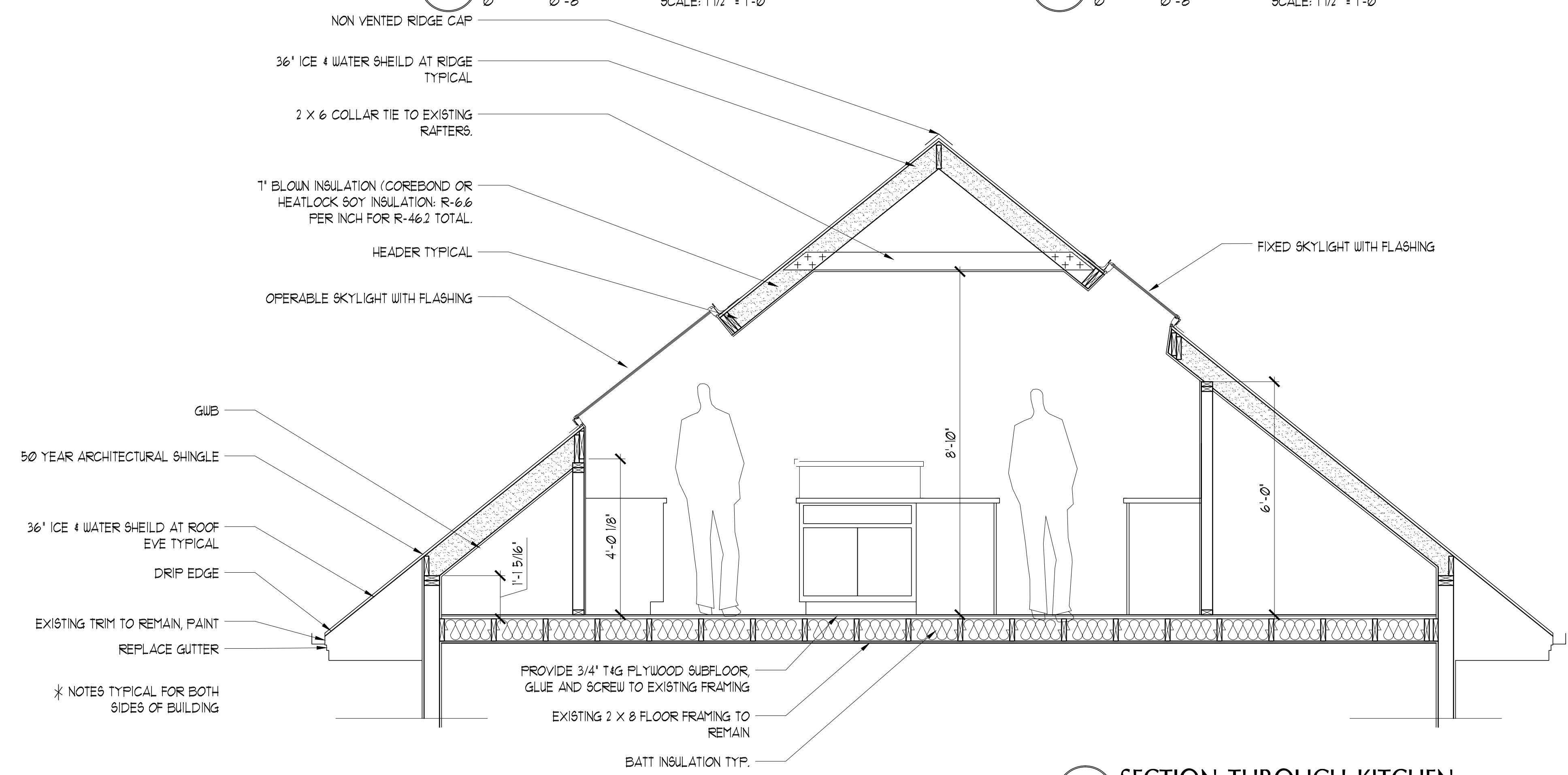
4 FLAT ROOF EDGE DETAIL
SCALE: 1 1/2" = 1'-0"



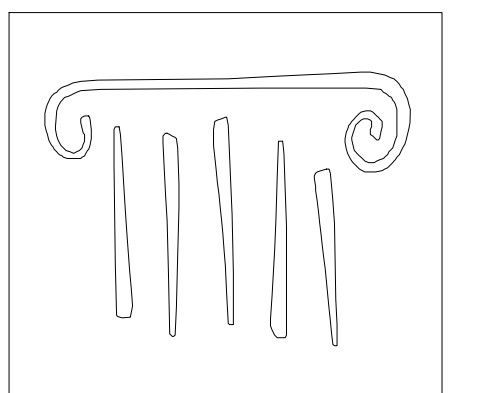
3 BRIS SOLEIL DETAIL
SCALE: 1 1/2" = 1'-0"



2 GUARD RAIL DETAIL
SCALE: 1 1/2" = 1'-0"



1 SECTION THROUGH KITCHEN
SCALE: 1/2" = 1'-0"



PORT CITY ARCHITECTURE

65 NEWBURY STREET
PORTLAND, ME 04101
207.761.9000
fax: 207.761.2010
info@portcityarch.com

NOTE TO GC'S: REFER TO OWNER'S SCOPE OF WORK DOCUMENT PRIOR TO PROVIDING A COST ESTIMATE

Piergrossi/Coyne RESIDENCE
125 MORNING STREET
PORTLAND, MAINE

#	DATE	DESCRIPTION
REVISIONS		
	Date Issued:	03/01/10
	Project Number:	10003
	Drawing Scale:	1/4" = 1'-0"
SHEET NAME		

#	DATE	DESCRIPTION
REVISIONS		

SECTIONS & DETAILS

Drawn By
JAP
Checked By
JCC

A3.1

ISSUED FOR PERMIT